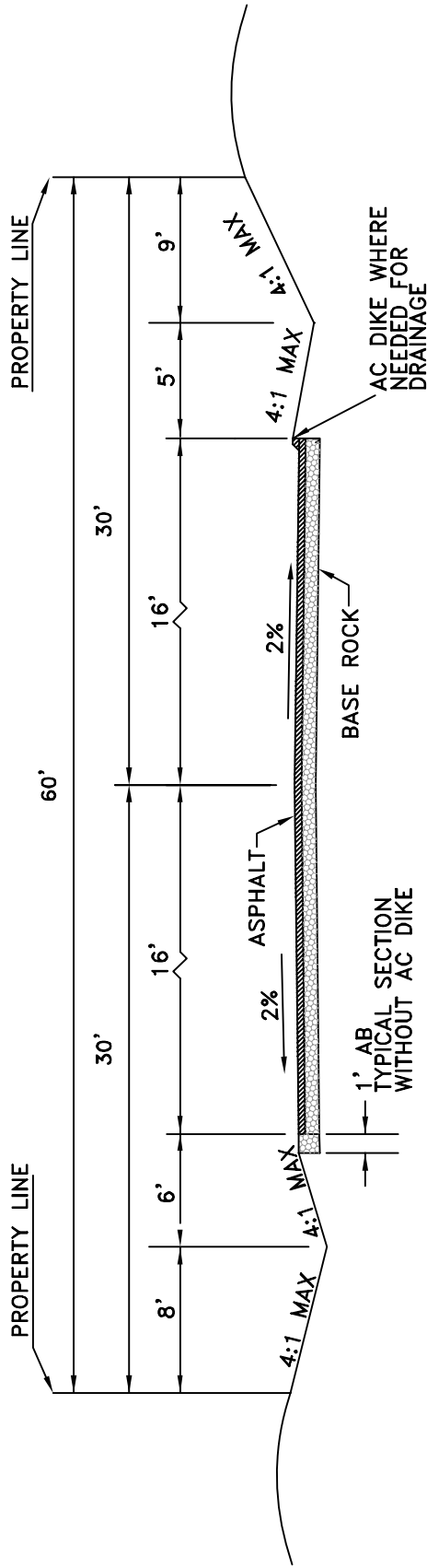


60 FT LOCAL (2 LANE RURAL)



NOT TO SCALE

NOTE:

1. PAVEMENT CROSS SLOPE SHALL BE 2.0% MINIMUM ON NEW ROAD CONSTRUCTION.
2. PAVEMENT WIDTH LESS THAN 16 FT MAY REQUIRE POSTING OF "NO PARKING" SIGNS AS DIRECTED BY ENGINEER.
3. ADDITIONAL SLOPE EASEMENTS MAY BE REQUIRED FOR ADEQUATE GRADING AND/OR DRAINAGE.
4. INSTALL AC DIKE WHERE REQUIRED FOR DRAINAGE, SEE CROSS SECTION ABOVE.
5. UNDERGROUND FRENCH DRAIN MAYBE REQUIRED IN THE SWALE AREA TO HELP CONTROL DRAINAGE AND ENHANCE SAFETY.



	Revised	By
UPDATED BY: PAUL SAINI, RCE DONAL HICKS, SR. ENGR. TECH		
CHECKED BY: DAVID LEAMON, RCE		

60 FT LOCAL 2 LANE RURAL

COUNTY OF STANISLAUS
DEPARTMENT OF PUBLIC WORKS

APPROVED BY:

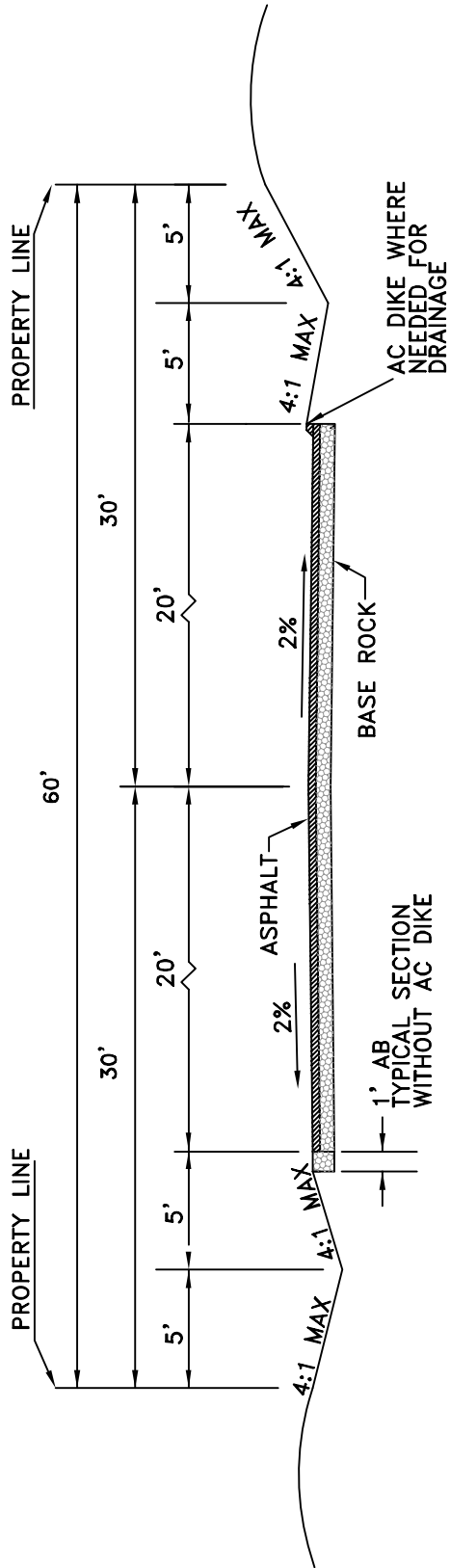
MATTHEW MACHADO

DIRECTOR OF PUBLIC WORKS

DATE: JUNE 2, 2014

PLATE NO: **3-A11**

60 FT MINOR COLLECTOR (2 LANE RURAL)



NOT TO SCALE

NOTE:

1. PAVEMENT CROSS SLOPE SHALL BE 2.0% MINIMUM ON NEW ROAD CONSTRUCTION.
2. PAVEMENT WIDTH LESS THAN 20 FT MAY REQUIRE POSTING OF "NO PARKING" SIGNS AS DIRECTED BY ENGINEER.
3. ADDITIONAL SLOPE EASEMENTS MAY BE REQUIRED FOR ADEQUATE GRADING AND/OR DRAINAGE.
4. INSTALL AC DIKE WHERE REQUIRED FOR DRAINAGE, SEE CROSS SECTION ABOVE.
5. UNDERGROUND FRENCH DRAIN MAYBE REQUIRED IN THE SWALE AREA TO HELP CONTROL DRAINAGE AND ENHANCE SAFETY.



	Revised	By
UPDATED BY: PAUL SAINI, RCE DONAL HICKS, SR. ENGR. TECH		
CHECKED BY: DAVID LEAMON, RCE		

60 FT MINOR COLLECTOR 2 LANE RURAL

COUNTY OF STANISLAUS
DEPARTMENT OF PUBLIC WORKS

APPROVED BY:

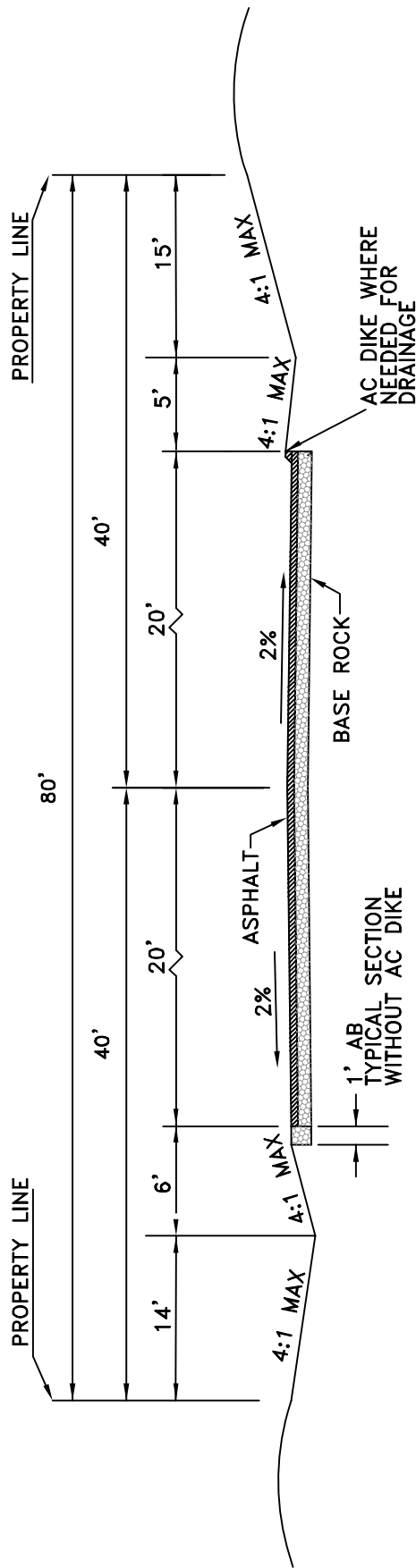
MATTHEW MACHADO

DIRECTOR OF PUBLIC WORKS

DATE: JUNE 2, 2014

PLATE NO: **3-A12**

80 FT MAJOR COLLECTOR (2 LANE RURAL)



NOT TO SCALE

NOTE:

1. PAVEMENT CROSS SLOPE SHALL BE 2.0% MINIMUM ON NEW ROAD CONSTRUCTION.
2. PAVEMENT WIDTH LESS THAN 20 FT MAY REQUIRE POSTING OF "NO PARKING" SIGNS AS DIRECTED BY ENGINEER.
3. ADDITIONAL SLOPE EASEMENTS MAY BE REQUIRED FOR ADEQUATE GRADING AND/OR DRAINAGE.
4. INSTALL AC DIKE WHERE REQUIRED FOR DRAINAGE, SEE CROSS SECTION ABOVE.
5. UNDERGROUND FRENCH DRAIN MAYBE REQUIRED IN THE SWALE AREA TO HELP CONTROL DRAINAGE AND ENHANCE SAFETY.



Revised	By
UPDATED BY: PAUL SAINI, RCE DONAL HICKS, SR. ENGR. TECH	
CHECKED BY: DAVID LEAMON, RCE	

80 FT MAJOR COLLECTOR 2 LANE RURAL

COUNTY OF STANISLAUS
DEPARTMENT OF PUBLIC WORKS

APPROVED BY:

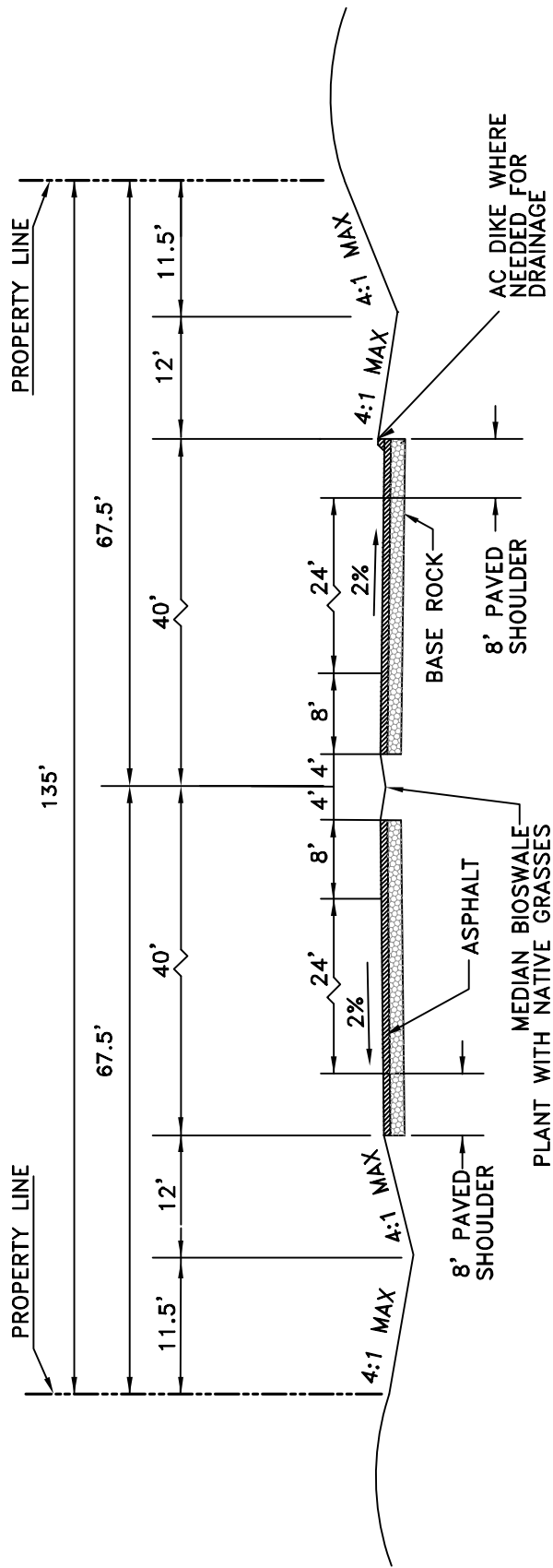
MATTHEW MACHADO

DIRECTOR OF PUBLIC WORKS

DATE: JUNE 2, 2014

PLATE NO: **3-A13**

135 FT OTHER PRINCIPAL ARTERIAL (4 LANE RURAL EXPRESSWAY)



NOT TO SCALE

NOTE:

1. PROVIDE MINIMUM 8 FT PAVED SHOULDER.
2. PAVEMENT CROSS SLOPE SHALL BE 2.0% MINIMUM ON NEW ROAD CONSTRUCTION.
3. ADDITIONAL SLOPE EASEMENTS MAY BE REQUIRED FOR ADEQUATE GRADING AND/OR DRAINAGE.
4. INSTALL AC DIKE WHERE REQUIRED FOR DRAINAGE, SEE CROSS SECTION ABOVE.
5. DIVIDE TRAVEL LANES WITH UNPAVED MEDIAN AS SHOWN.
6. UNDERGROUND FRENCH DRAIN MAYBE REQUIRED IN THE SWALE AREA TO HELP CONTROL DRAINAGE AND ENHANCE SAFETY.



	Revised	By
UPDATED BY: PAUL SAINI, RCE DONAL HICKS, SR. ENGR. TECH		
CHECKED BY: DAVID LEAMON, RCE		

135 FT OPT
4 LANE RURAL EXPRESSWAY

COUNTY OF STANISLAUS
DEPARTMENT OF PUBLIC WORKS

APPROVED BY:	 MATTHEW MACHADO DIRECTOR OF PUBLIC WORKS
DATE:	JUNE 2, 2014
PLATE NO:	3-A16